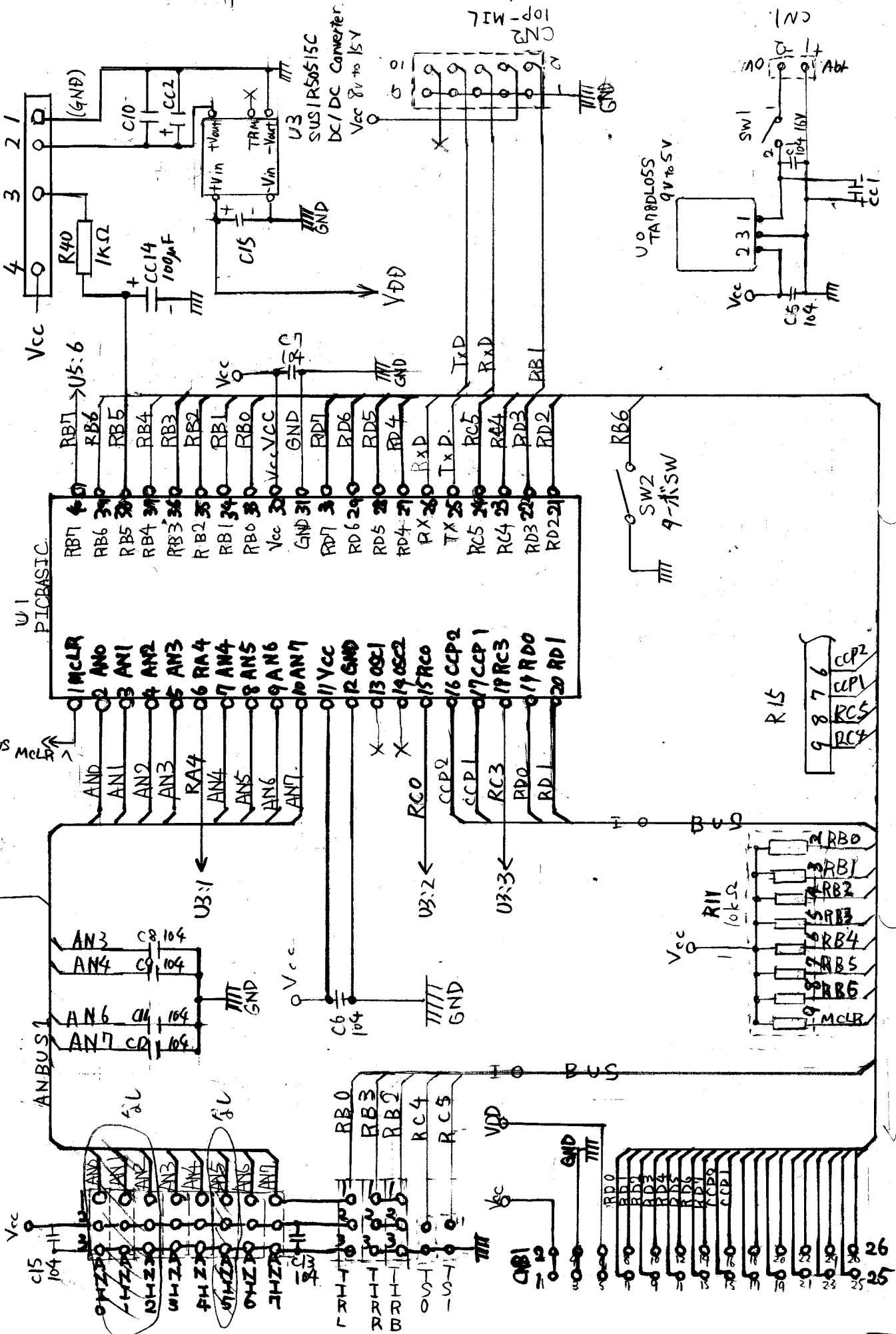


2 ANBUS1

2007-04-16 R01

CN3 BALL check

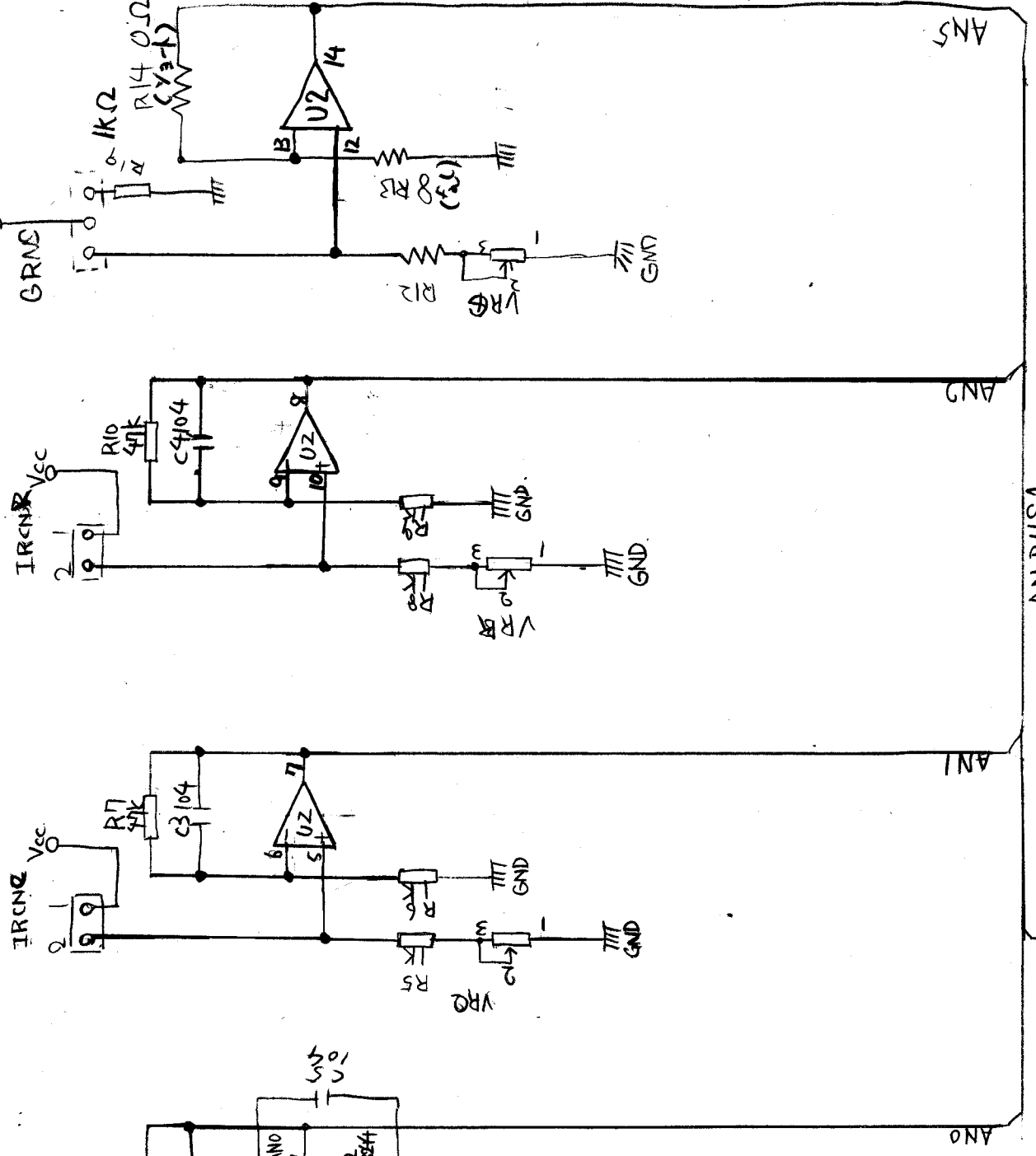
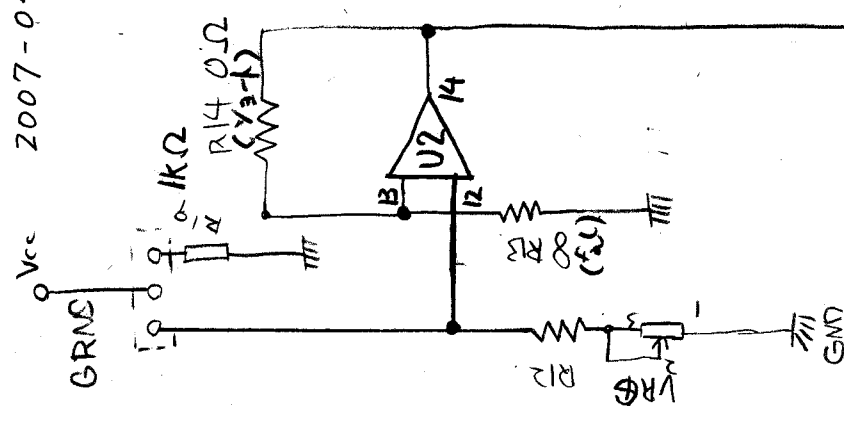
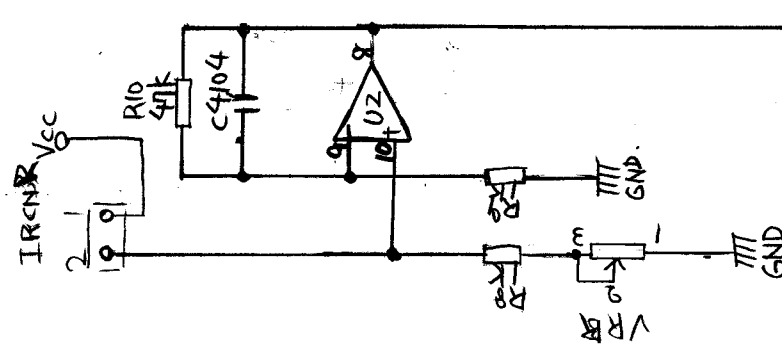
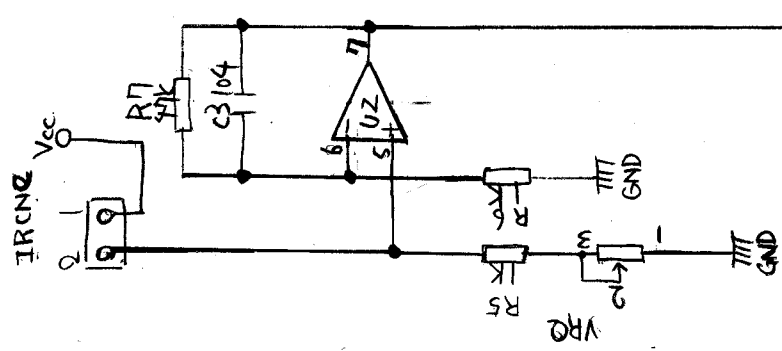
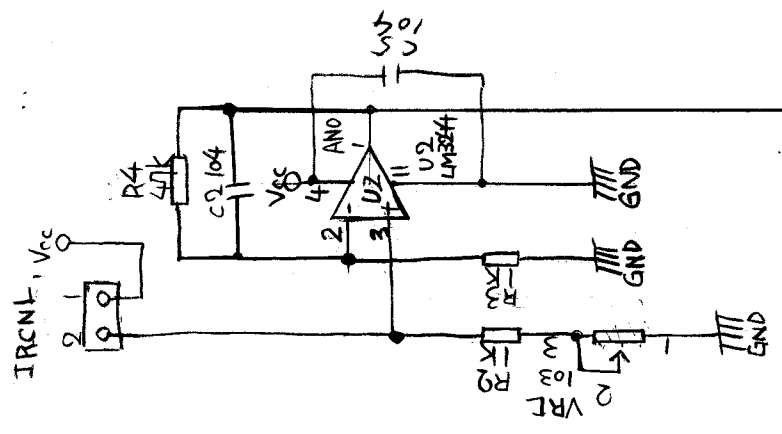


CPU main board.

17

# IR. GR 电路

2007-04-16 R01

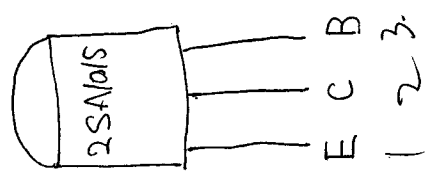
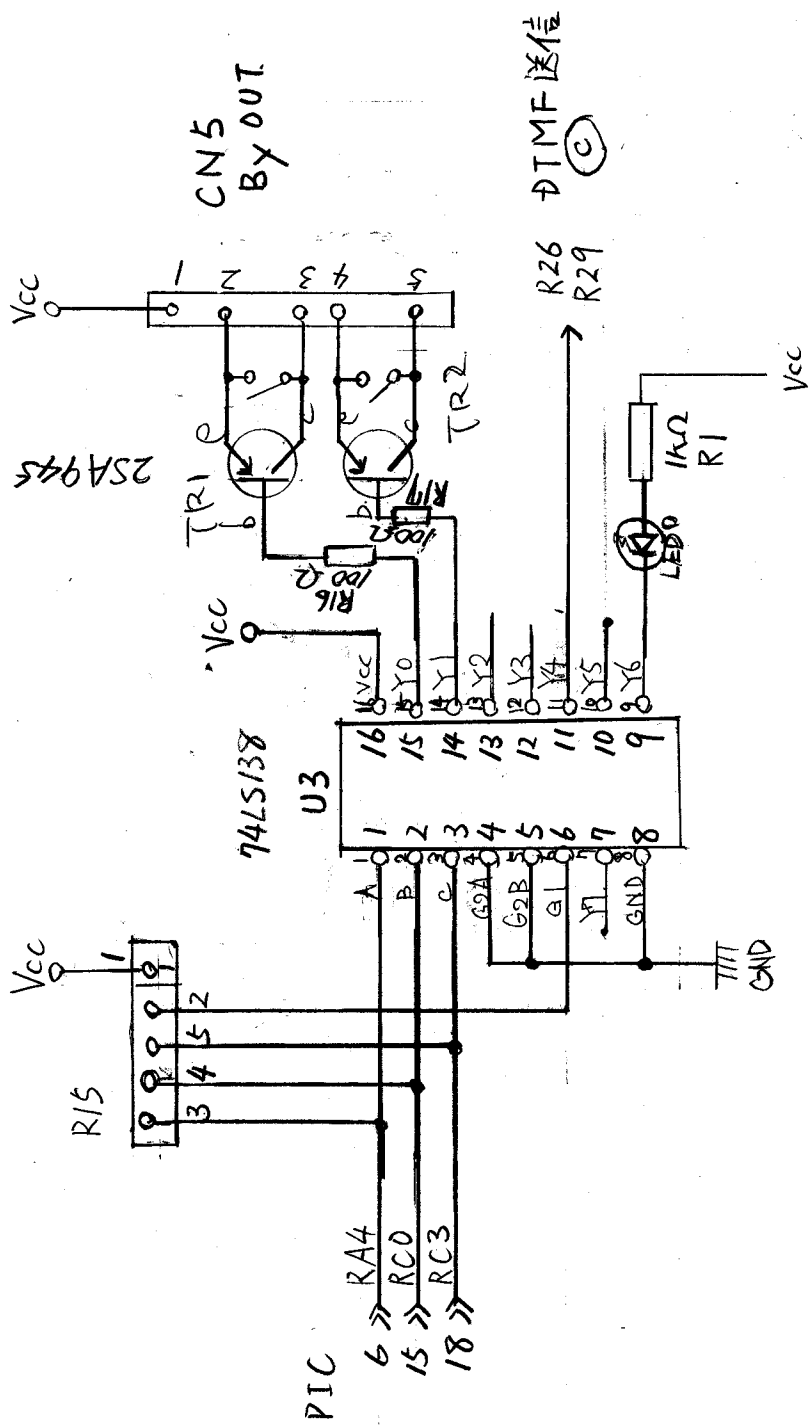


U2: LM3244

IR Sens

1/4

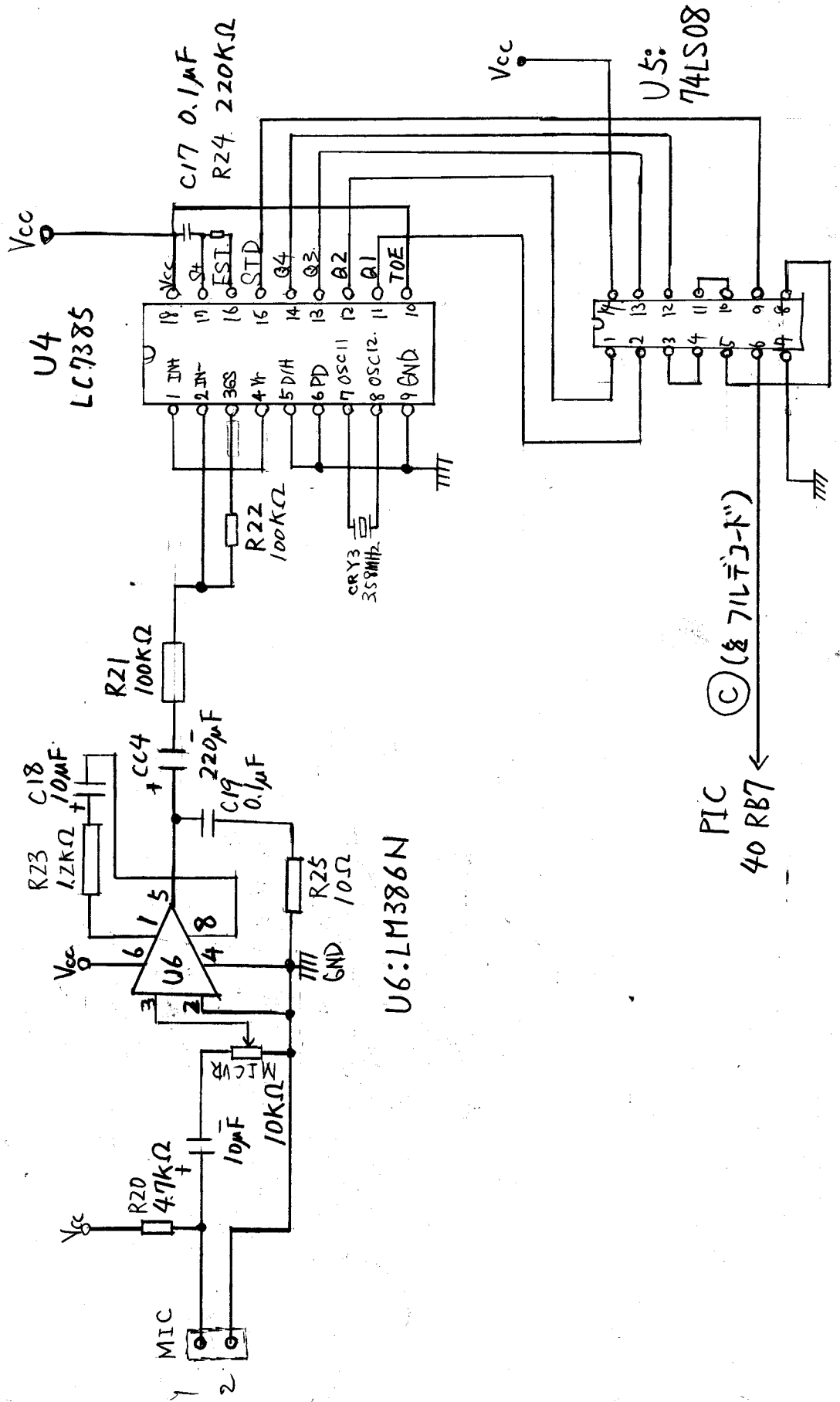
2007-04-16 R01  
04-25 R02



3/9

2007-04-16 R01

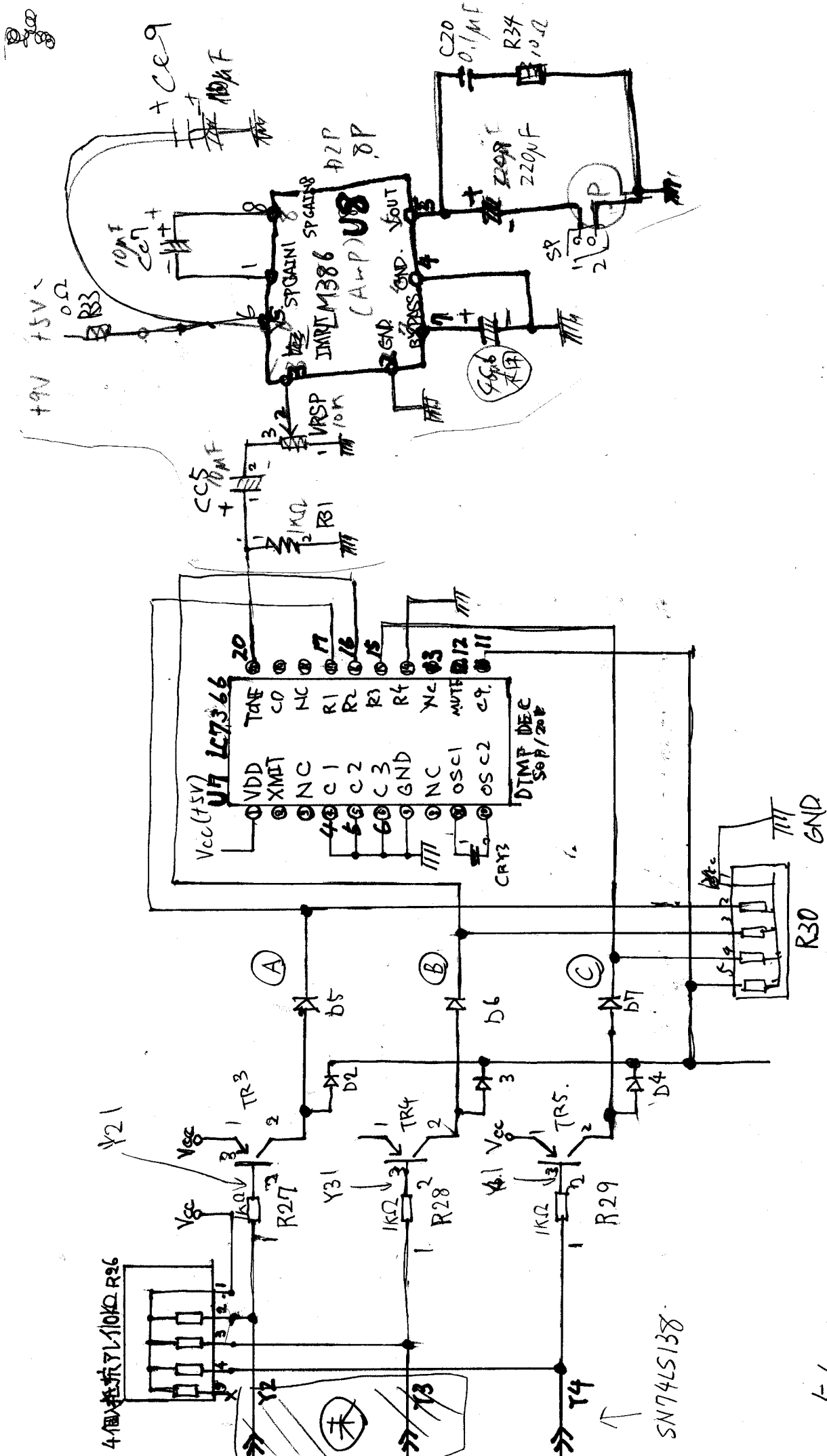
# DTMF受信



4/7

# DTMF 送信

2007-04-16 R01



SN74LS138

2007-4-7 R01

# PIC WDT 回路

## U9: TC 4538

